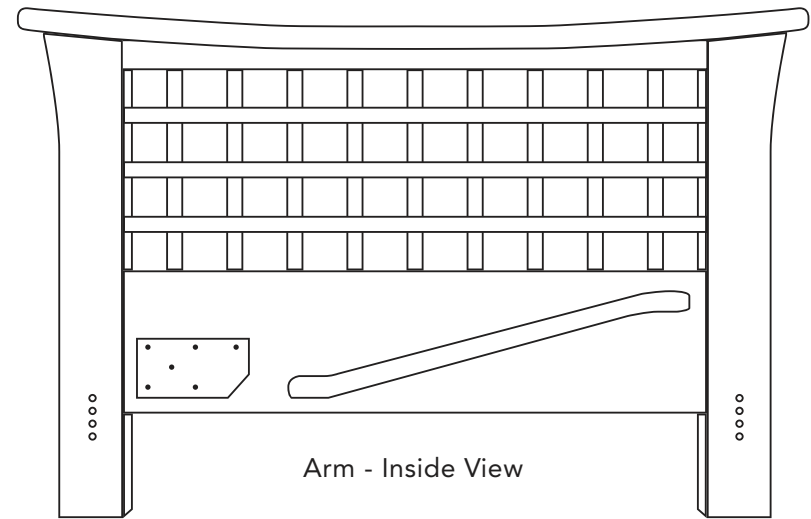
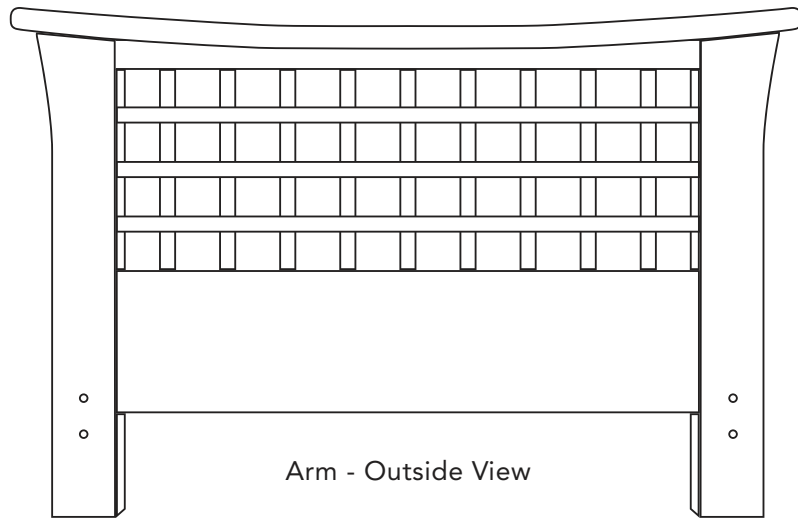


Trelli Arms

1A

Watch our assembly videos at www.stratafurniture.com/videos.html

Parts in the Arm Box:



1B

Hardware in this Box:



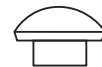
Bolts (80mm) x 8



Barrel Nuts x 8



Wooden Dowels x 8



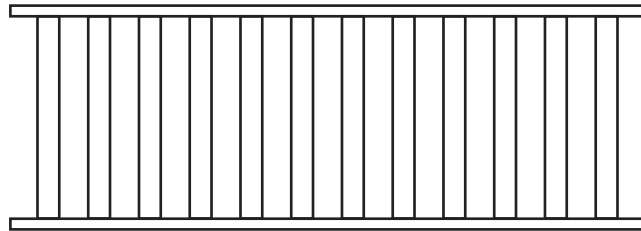
Wood Buttons x 8

Assembly Instructions for Carriage Body, all sizes

1A

Watch our assembly videos at www.stratafurniture.com/videos.html

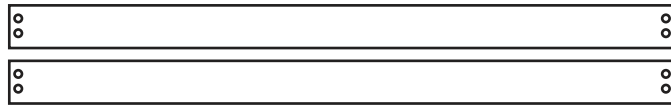
Parts in the Body Box:



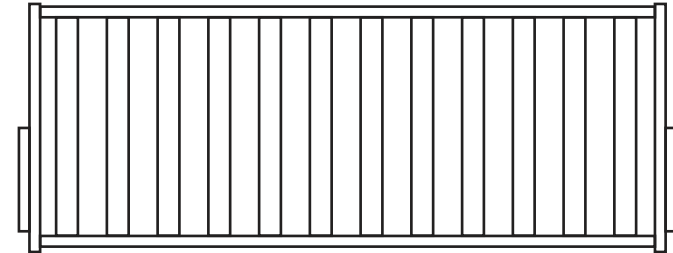
Back Deck x 1



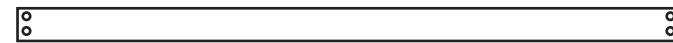
Back Deck End Caps x 2



Stretcher x 2



Seat Deck x 1
with the Feet attached



Foot Connector Bar x 1



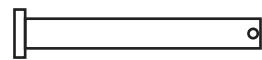
Advance Arms x 2

1B

Hardware in the Box:



Bolts (60mm) x 10
For the Advance Arms,
End Caps & Foot Connector Bar



Long Clevis Pins
x 2



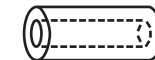
Short Clevis Pins
x 2



Screw
x 1



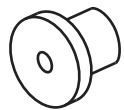
Long Sleeve
x 2



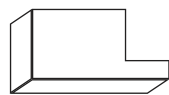
Short Sleeve
x 4



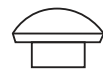
Locking Pins
x 4



Plastic Runner
x 2



Wood Latch
x 1



Wood Buttons
x 2



Barrel Nuts
x 8



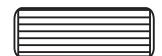
Strap
x 1



Long Allen Key
x 1



Washers
x 9

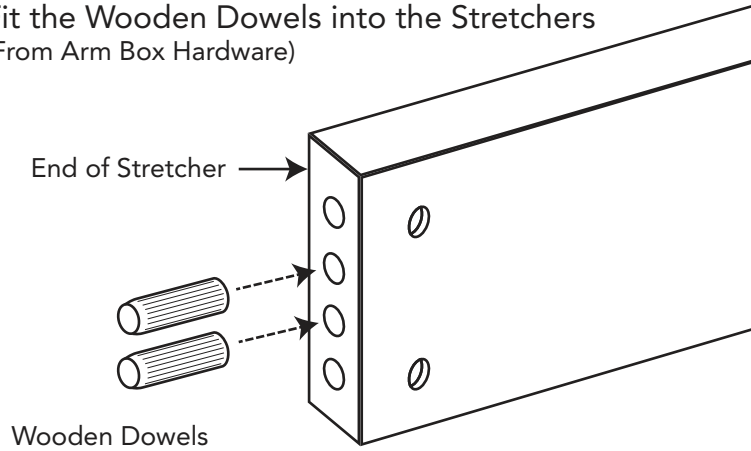


Wooden Dowels
x 8

Assembly Instructions for Carriage Body, all sizes

2A

Fit the Wooden Dowels into the Stretchers
(From Arm Box Hardware)



2B

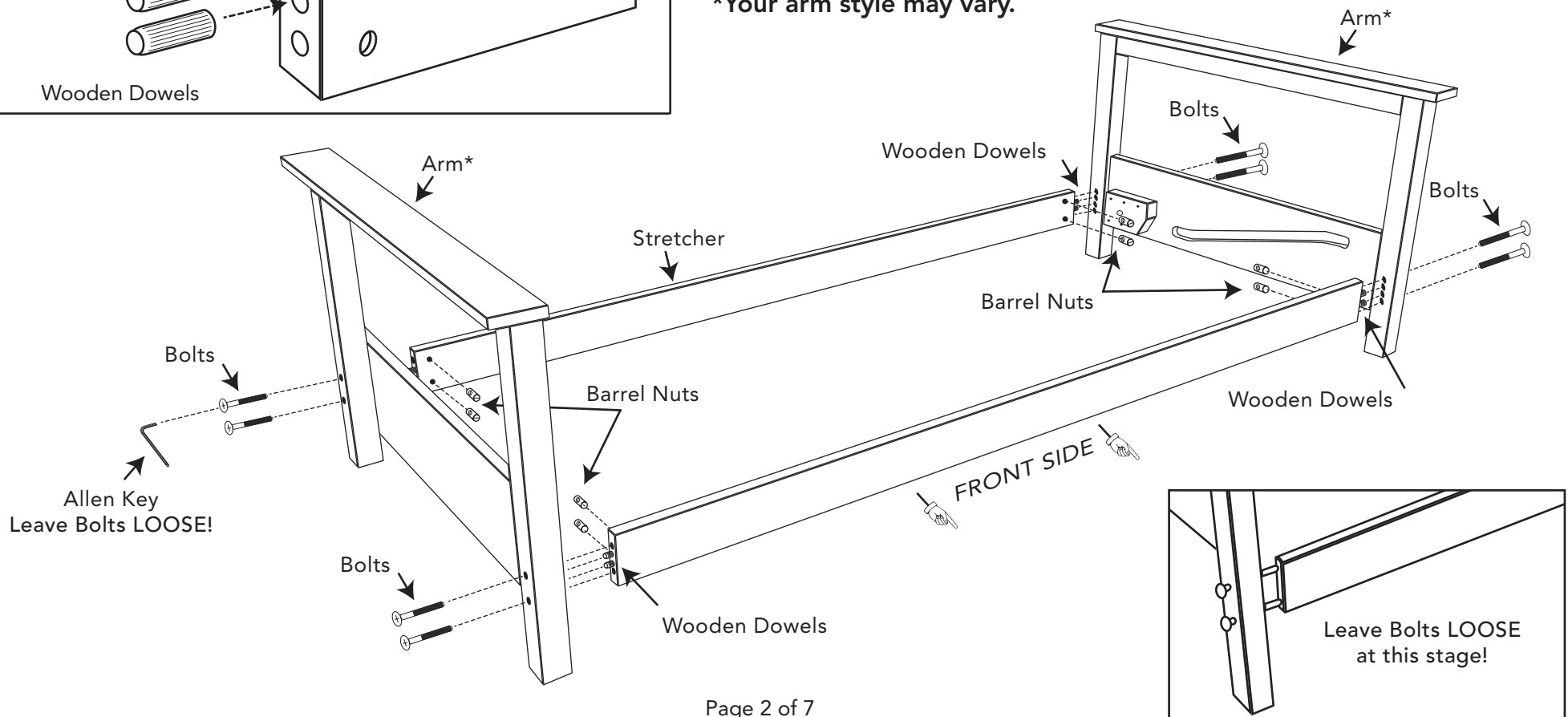
Attach the Arms* to the Stretchers using hardware in arm box.

Be patient, it can be tricky to start the bolts in the nuts - a screwdriver will help you line up the Barrel Nut with the Bolt.

Drive the Bolts in until they just catch the Nuts.

It is important that these bolts are left loose!

***Your arm style may vary.**



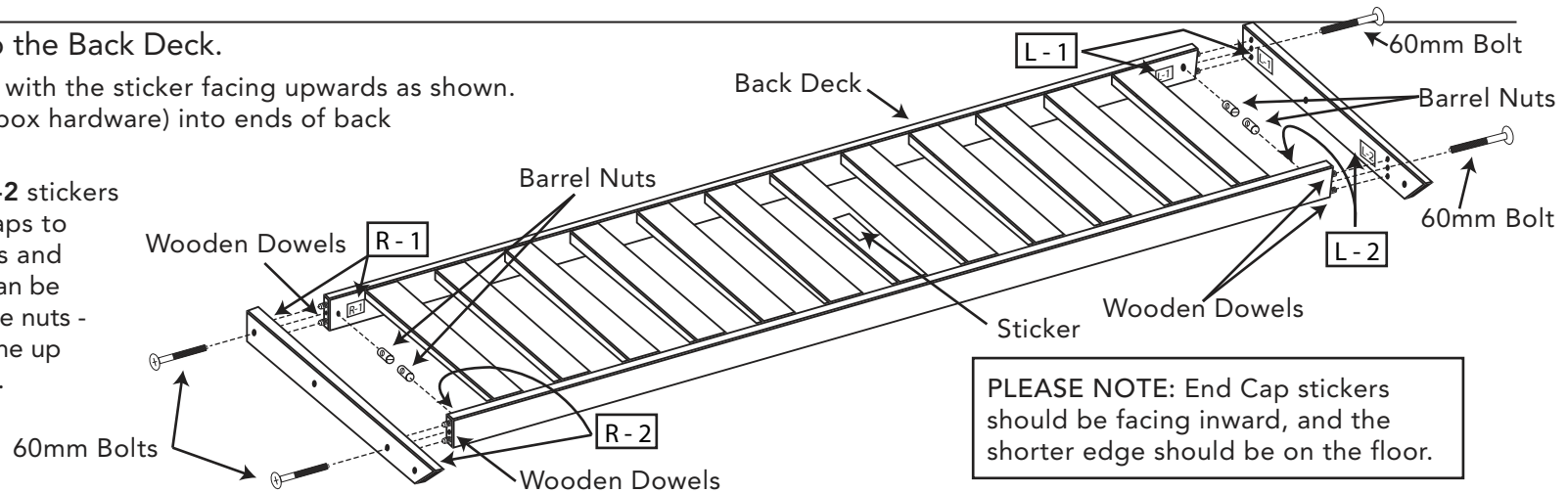
Assembly Instructions for Carriage Body, all sizes

3A

Attach the End Caps to the Back Deck.

Lay the Back Deck out flat with the sticker facing upwards as shown. Insert Dowels (from body box hardware) into ends of back deck as shown.

Using R-1, R-2, L-1, and L-2 stickers as a guide, bolt the end caps to the deck using 60mm bolts and barrel nuts. Be patient, it can be tricky to start the bolts in the nuts - a screwdriver will help you line up the Barrel Nut with the Bolt.

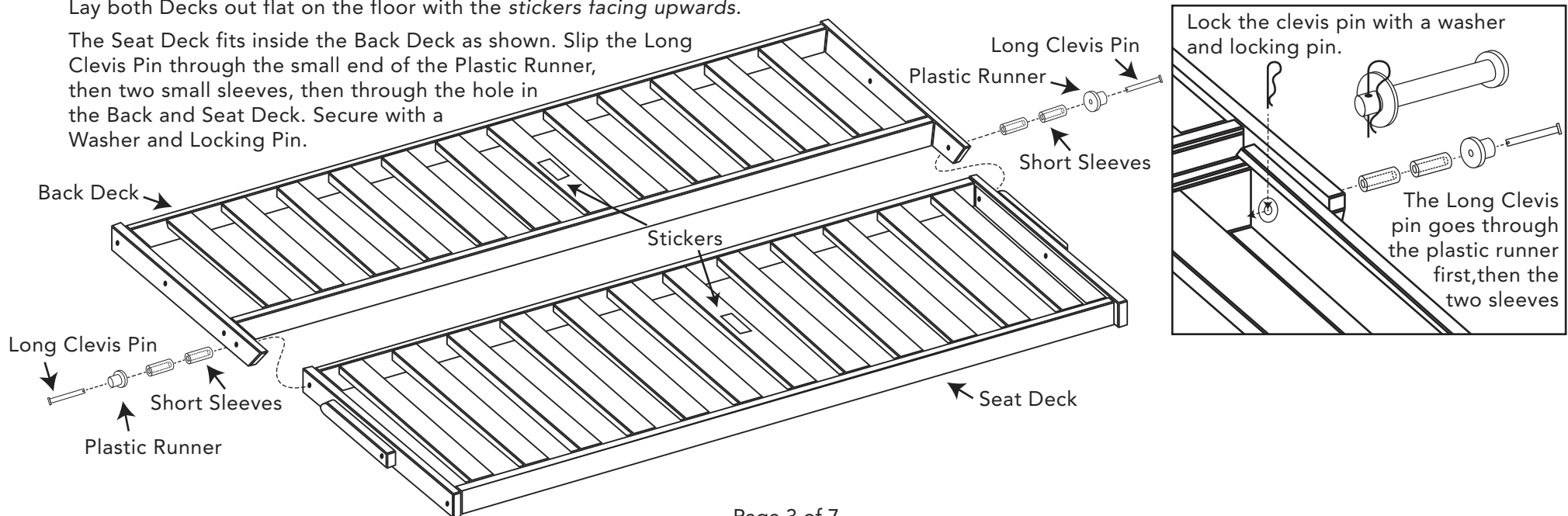


3B

Join the Seat and Back Deck together.

Lay both Decks out flat on the floor with the stickers facing upwards.

The Seat Deck fits inside the Back Deck as shown. Slip the Long Clevis Pin through the small end of the Plastic Runner, then two small sleeves, then through the hole in the Back and Seat Deck. Secure with a Washer and Locking Pin.

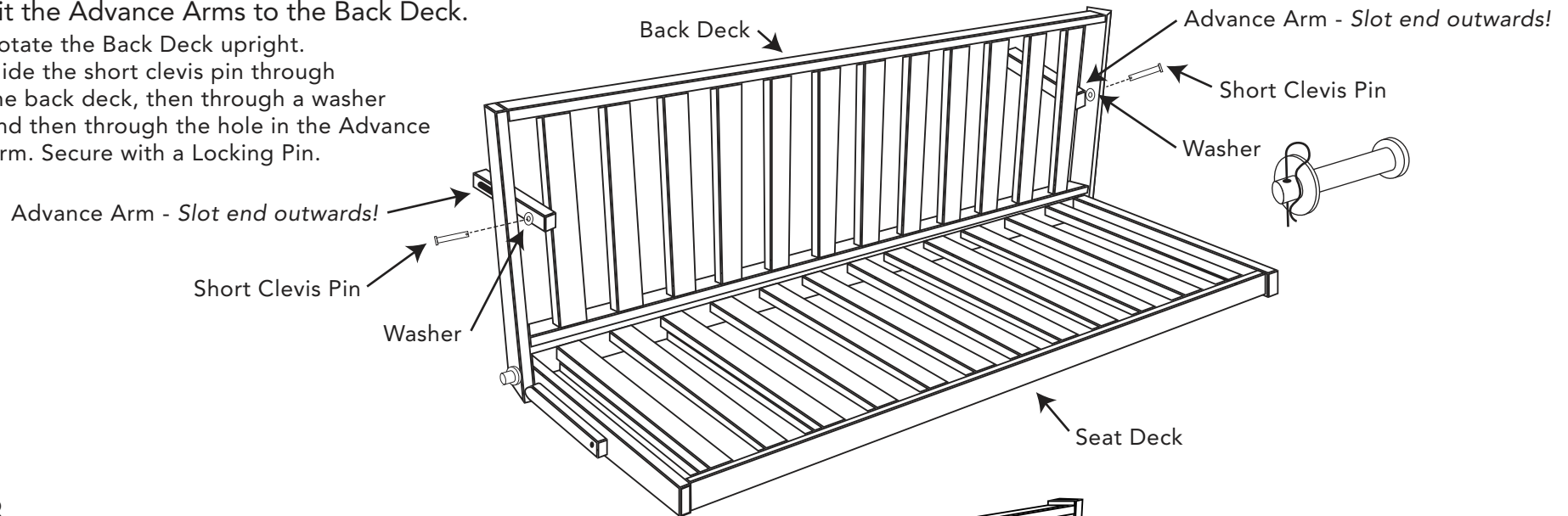


Assembly Instructions for Carriage Body, all sizes

4A

Fit the Advance Arms to the Back Deck.

Rotate the Back Deck upright.
Slide the short clevis pin through the back deck, then through a washer and then through the hole in the Advance Arm. Secure with a Locking Pin.



4B

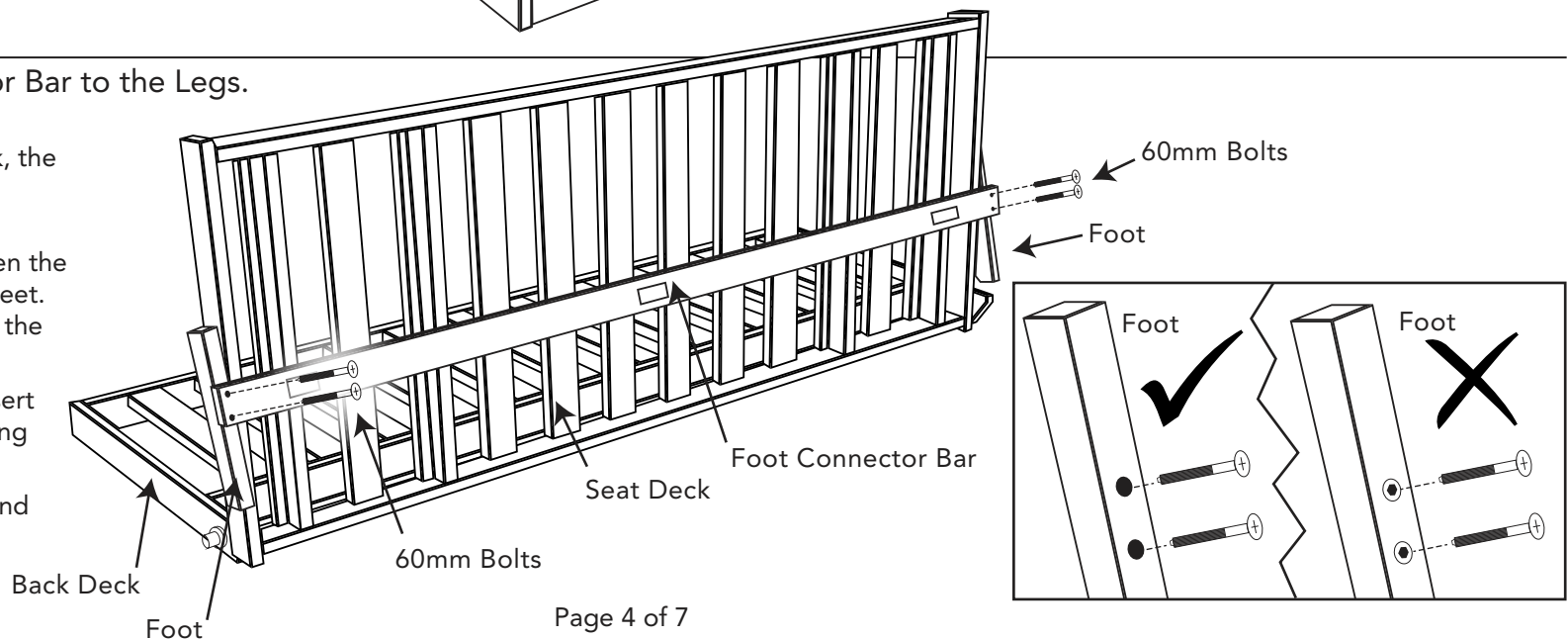
Attach the Connector Bar to the Legs.

Lift the Seat Deck so it is resting on the Back Deck, the feet should be pointing **DOWNWARDS**.

Line up the holes between the Connector Bar and the Feet. Make sure the recess for the bolt is facing outwards.

CAUTION: The metal insert in the foot **MUST** be facing the Back Deck.

Use four Bolts (60 mm) and bolt it in place.



Assembly Instructions for Carriage Body, all sizes

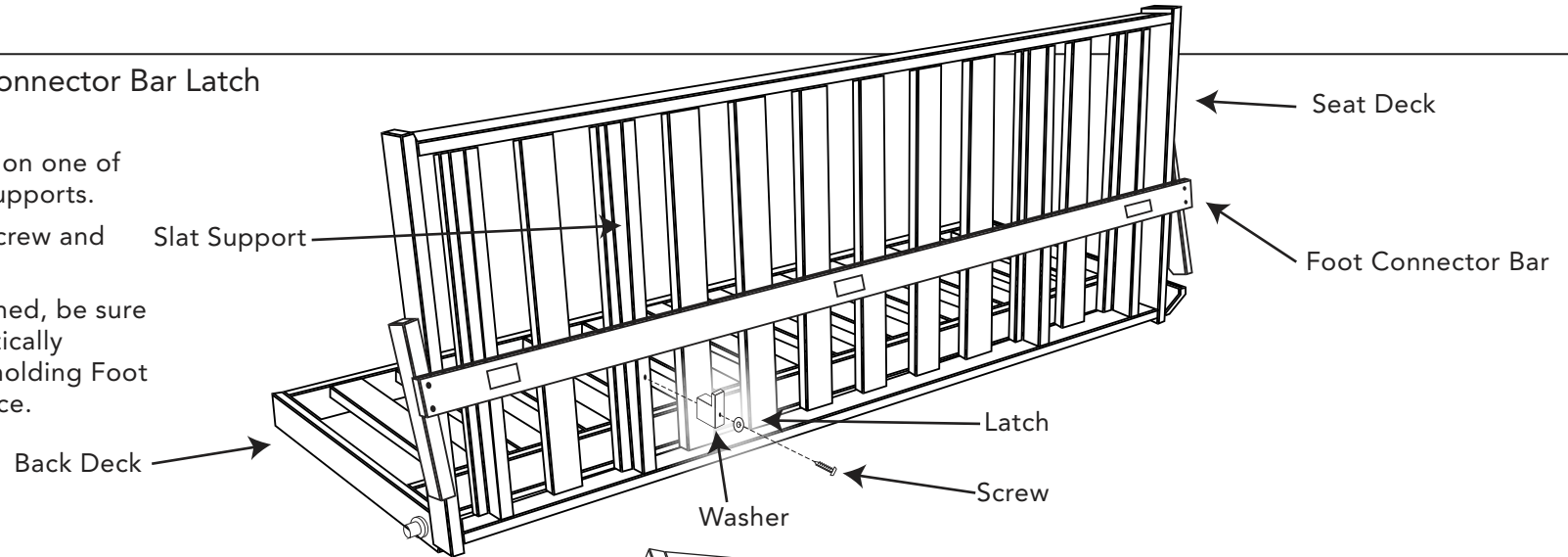
5A

Attach the Foot Connector Bar Latch to the Seat Deck.

Find pre-drilled hole on one of the Seat Deck Slat Supports.

Attach Latch using Screw and Washer as shown.

Once screw is tightened, be sure Latch is pointing vertically upwards, as shown, holding Foot Connector Bar in place.

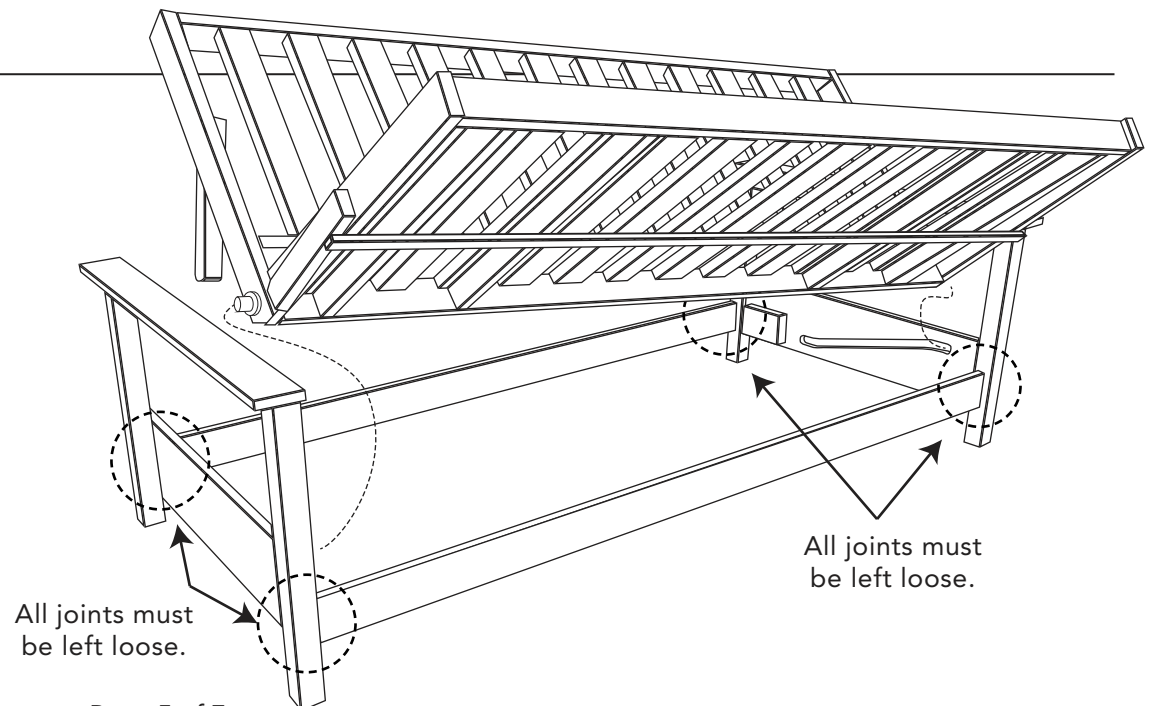
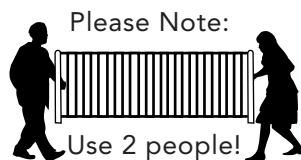


5B

Fit the Seat Back Decks to the Frame.

Insert the decks into the partially completed frame. This is where a helper may be useful.

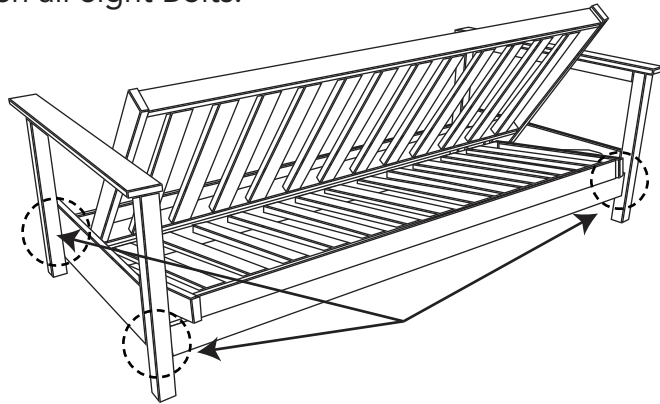
When the Plastic Runners are in the grooves in the Arms, slide the assembly towards the back of the frame.



Assembly Instructions for Carriage Body, all sizes

6A

Tighten all eight Bolts.



6C

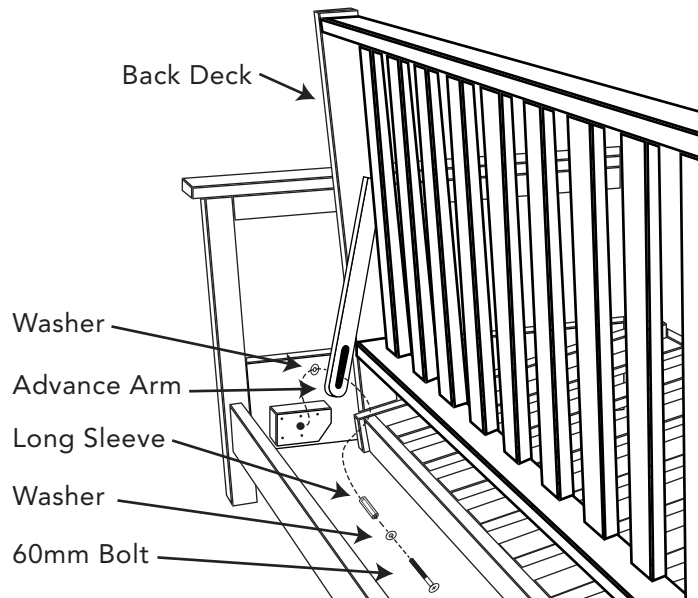
Watch our videos at www.stratafurniture.com/videos.html

Fit the Strap to the Back Deck.



6B

Connect the Advance Arms to the Arms.

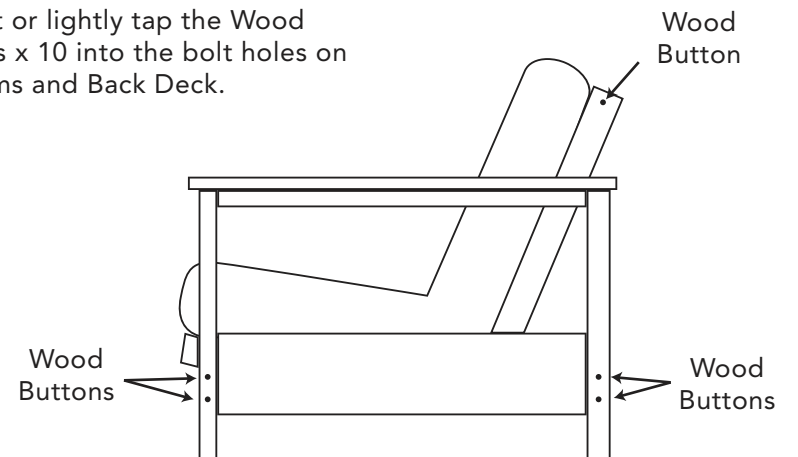


6D

Fit the Wood Buttons to the Arms and Back Deck

Finally, when the frame is fully assembled, make sure all the bolts are secure.

Push fit or lightly tap the Wood Buttons x 10 into the bolt holes on the Arms and Back Deck.



Assembly Instructions for Carriage Body, all sizes

Operating Instructions

Watch our videos at www.stratafurniture.com/videos.html

To convert into a bed position

- Lift seat deck up just so it clears the front stretcher. PULL HORIZONTALLY until the rollers hit the top of the front of the groove. Then lift into vertical position. At this point, it will look like the picture above. If you lift vertically too quickly, the frame will slam down.
- Resting the seat deck on your hip, push the seat deck and mattress forward (towards the back deck). Turn the latch 90° to release the foot connector bar, and pull it out towards you until feet are fully extended.
- Sit the frame down gently.

To convert into a couch position

- Remove any pillows and other obstructions
 - Push up the mattress into an inverted couch position and then lift up the seat deck into a vertical position.
 - Resting seat deck on your hip, push the foot connector down all the way so that the foot connector rests on the side rail. Turn the Latch 90° to lock the Foot Connector Bar in place.
 - With one hand lightly push the seat deck down. Then, at the same time, pull on the top of the mattress with one hand (or the strap if using a strap) and push in the seat deck with your other hand or leg until it locks in.
- *DO NOT FORCE! - Frame should operate easily.**

Note: Never lift the frame by the arm caps - Always lift from the bottom of the arms.

